



More information on the website  
[radwag.com/en/info,w1,BK3](http://radwag.com/en/info,w1,BK3)

# DJ-05 Antistatic Ionizer



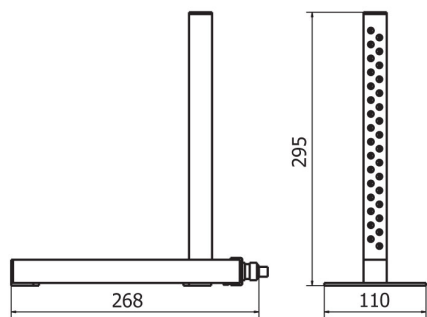
The drawings, photos and graphics used are for illustrative purposes only.

## Datasheet

Electrical parameters	
Power supply	100 – 240 V AC 50/60 Hz
Environmental conditions	
Operating temperature	0 ÷ +40 °C
Distance form a sample	ok. 50 ÷ 500 mm
Ion source	stainless steel
Moisture content analysis	10% ÷ 80%
Physical parameters	
Frame dimensions	175×70×172 mm
Packaging dimensions	375×375×130 mm
Net weight	1,3 kg
Gross weight	1,9 kg

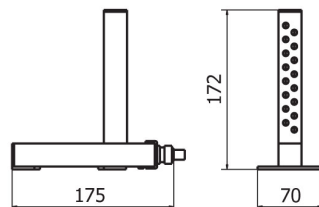
## Compatible with

## Device dimensions



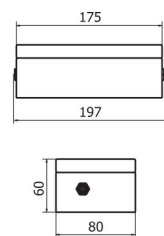
DJ-04

---



DJ-05

---



power supply

---